

Product Specification

12.1 inch Capacitive Touch Industrial All-In-One PC

Model : ZPC121-Z122

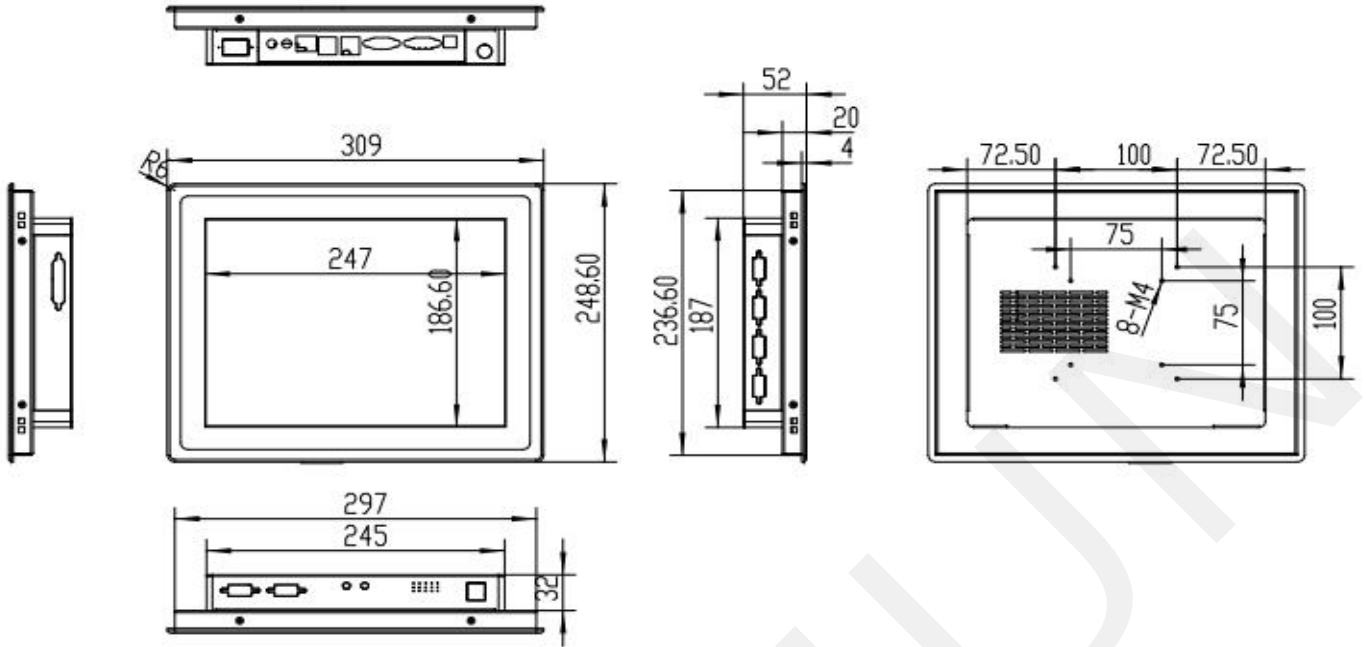




Specification:

Parameter		
Host Configuration Parameter	Mainboard Type	Industrial Mainboard
	CPU	Intel® Celeron J1900, Quad-core, Burst Frequency 2.42G, TDP 10W
	RAM	4GB, Support DDR3L-1333 MHz, 1*S0-DIMM Slot
	SSD	64G
	USB	1*USB3.0, 3*USB2.0 (add two extra USB2.0 optional)
	HDMI	Optional
	COM Port	2 * COM (RS232/422/485 auto-flow)
	VGA	1 *VGA
	LAN	1* Realtek PCI-E NIC RTL8111F(10/100/1000Mbps)
	AUDIO	Realtek ALC662 5.1 Channel HDA Codec , Support MIC/Line-out Ports
	Power	12VDC_IN Power Input Connector
	WIFI	Optional
	OS	Windows/Linux, Pre-installed Win10 64bit
Touch Screen	Type	PCAP Touch
	Respond Time	≤5ms
	Luminousness	85±5%
	Surface Hardness	6H
	Click Lifetime	50 millions times
	Anti Static Pressure	5kg/cm ²
	Communication Interface	USB interface
Display Screen	Type	12.1 inches
	Interface	LVDS
	Backlight	LED
	Backlight MTBF	50000h
	Resolution	1024*768
	Brightness	300cd
	Dynamic Contrast	1000:1
	Viewing Angle	R/L: 65 (Typ.), U/D: 65 (Typ)
Environmental Parameters	Operating Temperature	-10—+60
	Storage Temperature	-20—+70
	Relative Humidity	20%—90%
General Parameters	Outline Dimension	309mm×248.6mm×52mm (L*W*H)
	Display Dimension	247mm×186.6mm (L*W)
	Hole Size	297mm×236.6mm (L*W)
	Shell Material	Front panel aluminum alloy + metal plate back cover
	Installation Type	Embedded, Wall-Mounted, Desktop, VESA

Dimension Drawing: mm



Product Model	Product description
ZPC121-Z122	12.1inch PCAP touch All-In-One PC/ Resolution 1024*768 / Windows10 64bit /CPU J1900/RAM 4G /SSD 64G

Accessories:

Product Name	Specification
Installation Buckle	4PCS
Adapter	12V/5A
Power Cable	1.5M
Touch Pen	1 PCS
Manual/Warranty Card	Each 1 PCS

Optional Accessories:

Product Name	Specification
Power Cable	3M /5M
Wall-Mounted Plate	Wall-mounted using optional
Desktop Stand	Desktop installation optional

GUANGZHOU CHONGCHANG COMPUTER TECHNOLOGY Co., LTD

Contact: Sam Jian

Wechat/Whatsapp/Skype:+86 18529112435